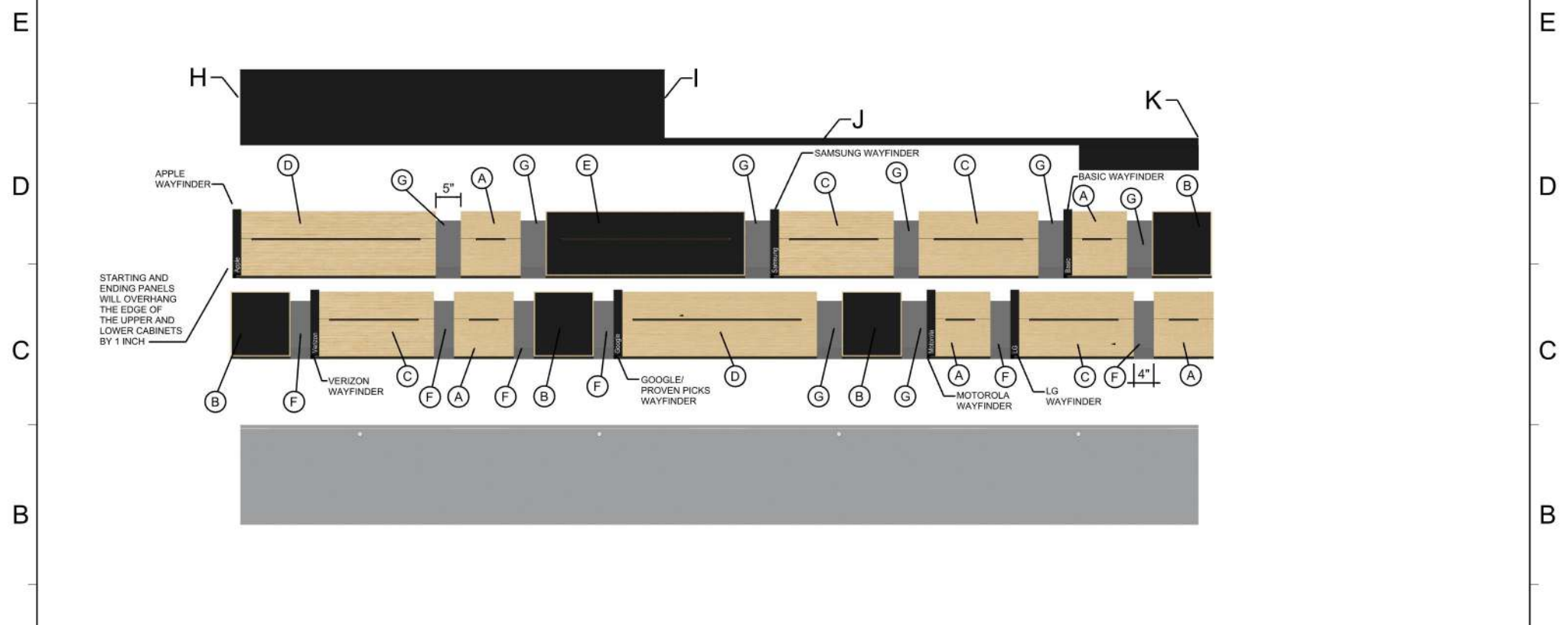


QTY	PART	ID
5	12"Wx15"H SLOTTED PANEL	A
4	12"Wx15"H MAG PANEL	B
4	24"Wx12"H SLOTTED PANEL	C
1	40"Wx15"H SLOTTED PANEL	D
2	40"Wx15"H MAG PANEL	E
6	5"Wx12"H SPACER PANEL	F
8	6"Wx12"H SPACER PANEL	G
1	TICKER SHELF - FLUSH END CAP	H
1	TICKER SHELF - INSET END CAP	I
4	TICKER SHELF BAY	J
1	TICKER SHELF - END CAP	K

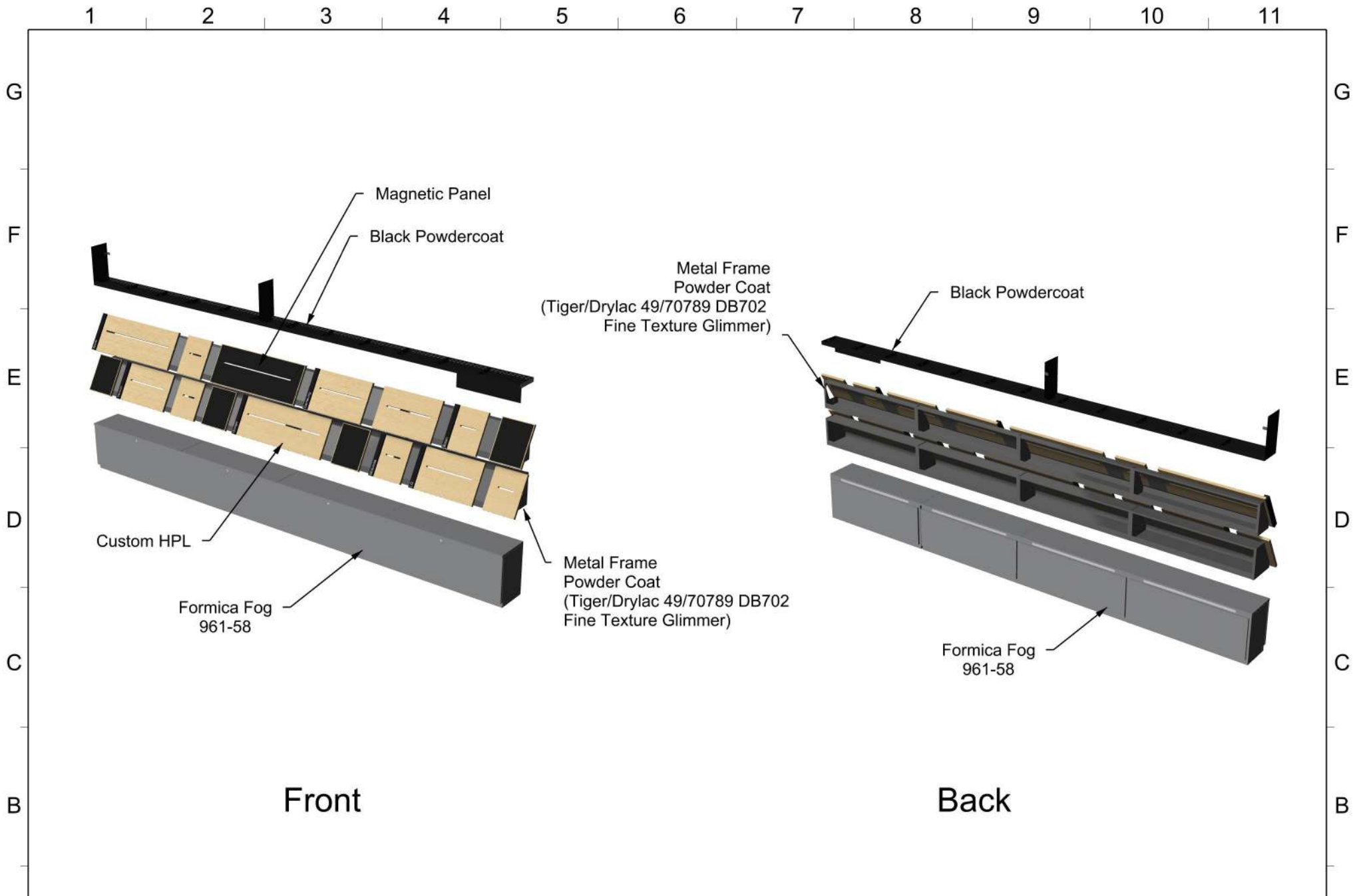
**\*5" PANEL SPACER WILL CREATE A 4" SPACE BETWEEN PANELS**  
**\*6" PANEL SPACER WILL CREATE A 5" SPACE BETWEEN PANELS**



<b>MODEL NAME:</b> 4 Bay Device Rack		<b>SRC</b>		SRC Fixtures	
<b>DATE:</b> 7/7/2020	<b>REVISION:</b> 1001	<b>UNITS:</b> Inches	<b>SHEET NO:</b> 1	9549 Frankoma Rd Sapulpa, OK 74066	
<b>FILE LOCATION:</b> G:\_ALL CUSTOMERS\IVZ Next Gen\Next Gen Models\IVZ Shop Drawings\4 Bay Device Rack.3dm					



SRC Fixtures  
9549 Frankoma Rd  
Sapulpa, OK 74066



Front

Back

MODEL NAME: 4 Bay Device Rack

DATE: 7/7/2020 REVISION: 1001 UNITS: Inches SHEET NO: 2



SRC Fixtures  
9549 Frankoma Rd  
Sapulpa, OK 74066

FILE LOCATION: G:\\_ALL CUSTOMERS\IVZ Next Gen\Next Gen Models\IVZ Shop Drawings\4 Bay Device Rack.3dm

1 2 3 4 5 6 7 8 9 10 11

G

F

E

D

C

B

G

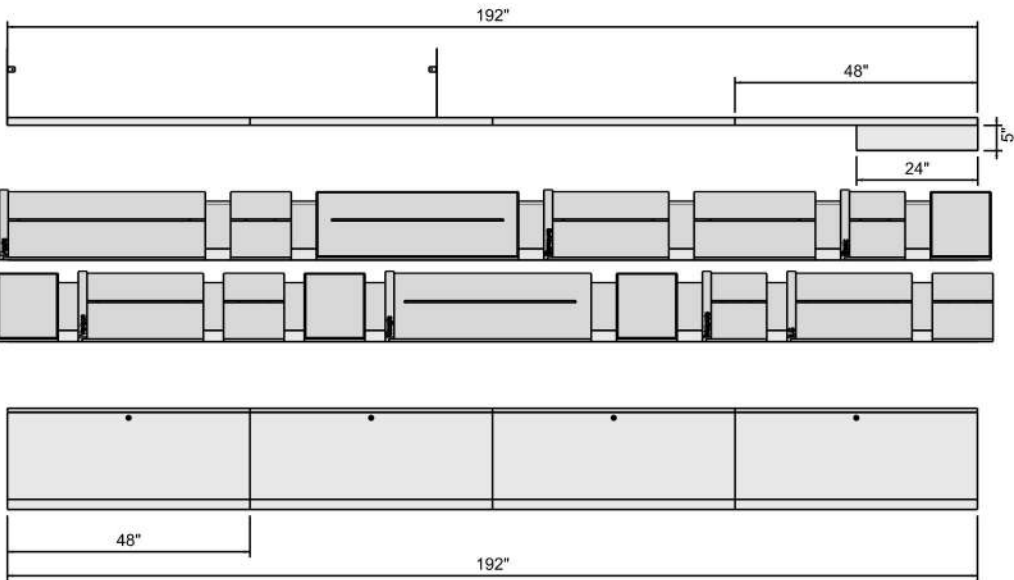
F

E

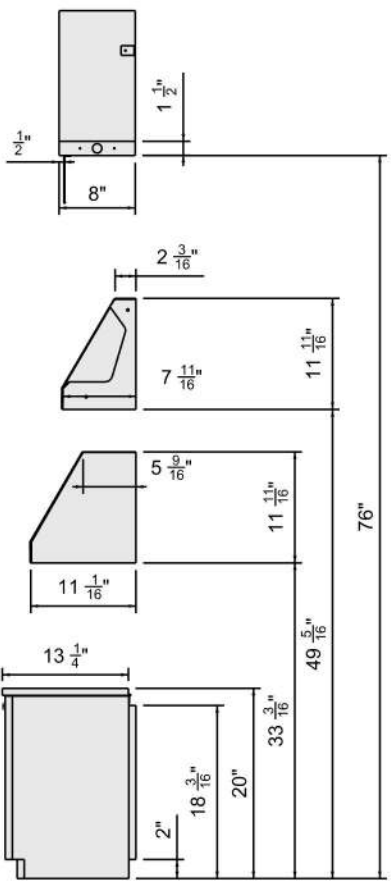
D

C

B




Front



Side

A

A

MODEL NAME: 4 Bay Device Rack								SRC Fixtures 9549 Frankoma Rd Sapulpa, OK 74066	
DATE:	7/7/2020	REVISION:	1001	UNITS:	Inches	SHEET NO:		3	
FILE LOCATION: G:\_ALL CUSTOMERS\I\Z Next Gen\Next Gen Models\I\Z Shop Drawings\4 Bay Device Rack.3dm									

1 2 3 4 5 6 7 8 9 10 11