

1 2 3 4 5 6 7 8 9 10 11

G

F

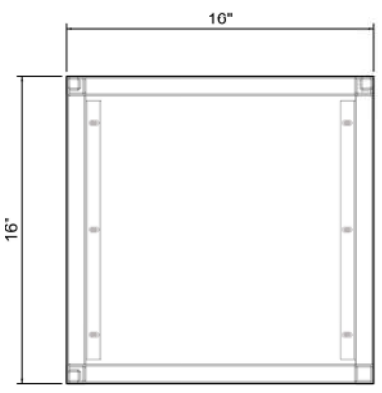
E

D

C

B

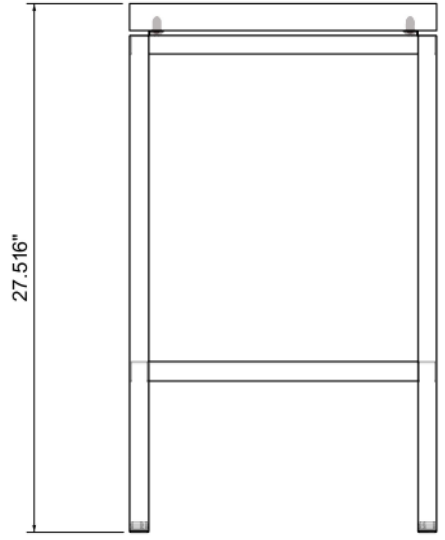
A



White Oak, 2 Coats
Catalyzed Laquer Finish
With 5% Sheen



Powder Coat
(Tiger/Drylac 49/70789 DB702)
Fine Texture Glimmer



G

F

E

D

C

B

A

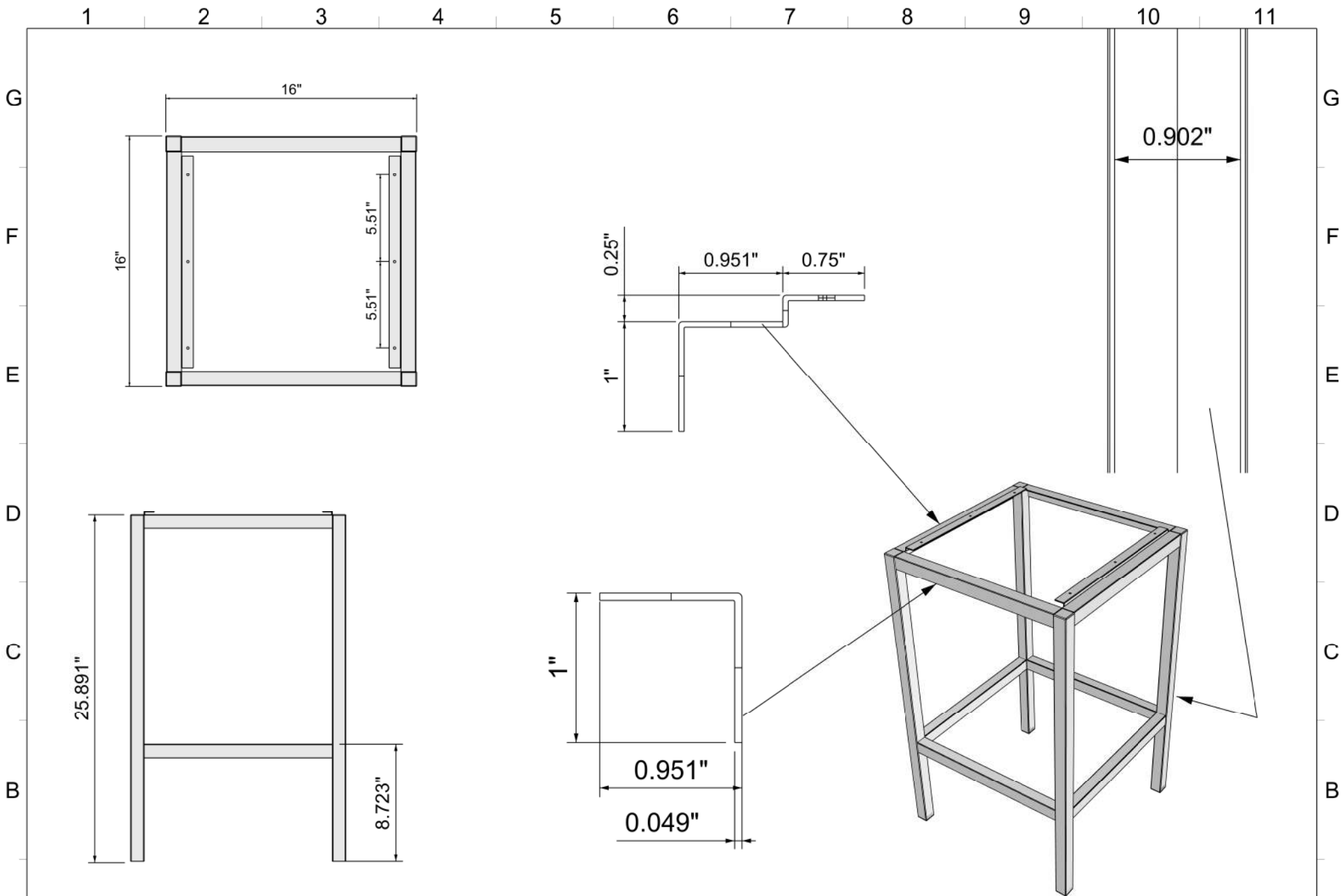
MODEL NAME: Collab Bar Stool		DATE: 10/29/2020		REVISION: 1001	UNITS: INCHES	SHEET NO: 1 of 3
------------------------------	--	------------------	--	----------------	---------------	------------------

SRC
FIXTURES

SRC Fixtures
9549 Frankoma Rd
Sapulpa, OK 74066

FILE LOCATION: \\TimPc\G_ALL CUSTOMERS\I\Z Next Gen\Next Gen Model\Tim\Current\NEXT GEN FINAL\Stools\Collaboration Bar Stool\Collab Bar Stool.3dm

1 2 3 4 5 6 7 8 9 10 11



MODEL NAME: Collab Bar Stool

DATE: 10/29/2020 REVISION: 1001 UNITS: INCHES SHEET NO: 2 of 3



SRC Fixtures
9549 Frankoma Rd
Sapulpa, OK 74066

FILE LOCATION: \\TimPc\G_ALL CUSTOMERS\I\Z Next Gen\Next Gen Model\Tim\Current\NEXT GEN FINAL\Stools\Collaboration Bar Stool\Collab Bar Stool.3dm

1 2 3 4 5 6 7 8 9 10 11

G

G

F

F

E

E

D

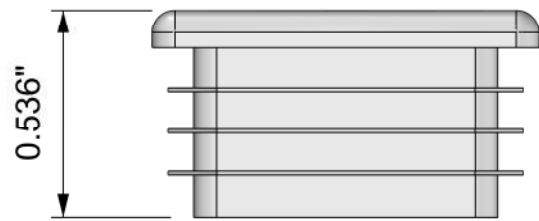
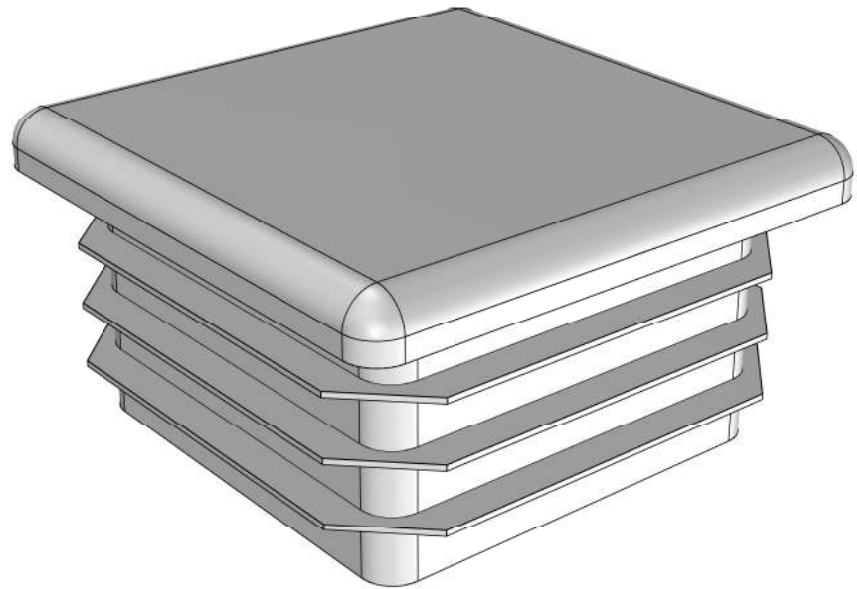
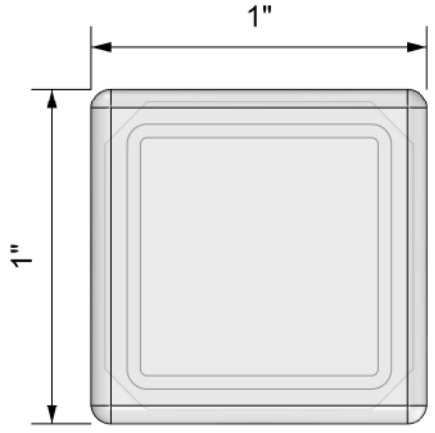
D

C

C

B

B



A

A

MODEL NAME: Collab Bar Stool		DATE: 10/29/2020		REVISION: 1001	UNITS: INCHES	SHEET NO: 3 of 3	
------------------------------	--	------------------	--	----------------	---------------	------------------	--

SRC
FIXTURES

SRC Fixtures
9549 Frankoma Rd
Sapulpa, OK 74066

FILE LOCATION: \\Tim\Pol\G_ALL CUSTOMERS\I\Z Next Gen\Next Gen Model\Tim\Current\NEXT GEN FINAL\Stools\Collaboration Bar Stool\Collab Bar Stool.3dm

1 2 3 4 5 6 7 8 9 10 11