

MODEL NAME:		2FT Slat Wall Cabinet								
DATE:	5/5/2021	REVISION:	1001	UNITS:	INCHES	SHEET NO:	1			
FILE LOCATION:	\\TimPc\G_ALL CUSTOMERS\IVZ Next Gen\NEXT GEN FINAL\Wall Cabinets\2FT Slat Wall Cabinet\PREVIOUS\2FT Slat Wall Cabinet\WEB.3dm									

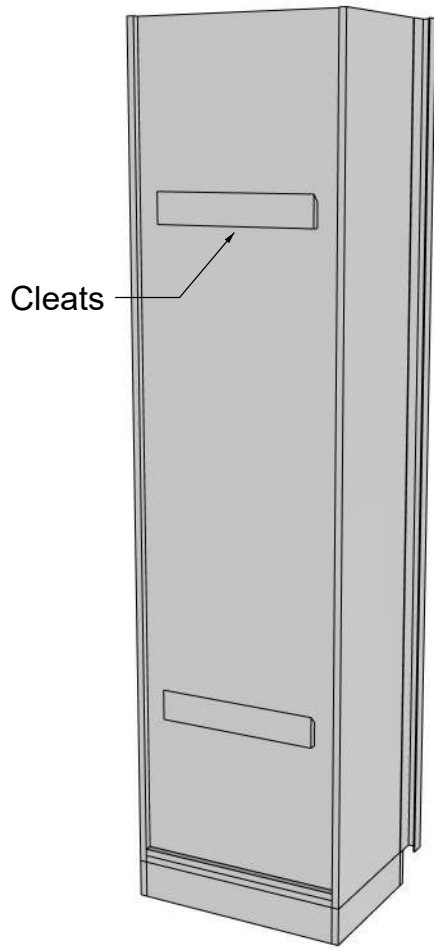
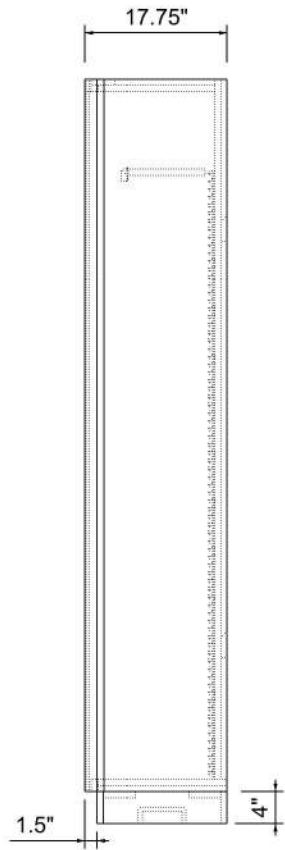
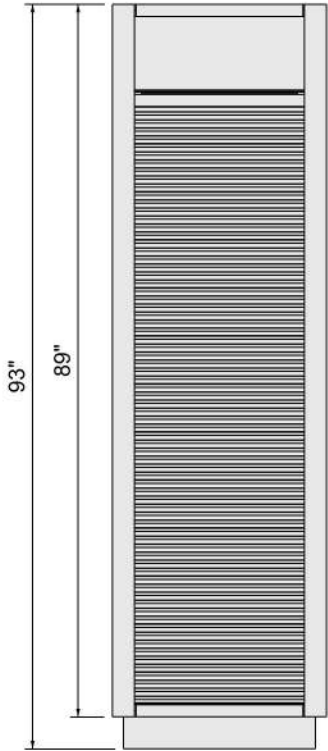
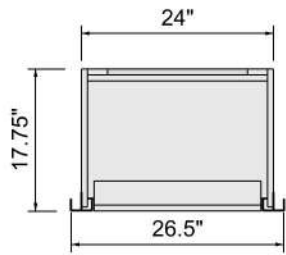
	SRC Fixtures	
	9549 Frankoma Rd Sapulpa, OK 74066	

1 2 3 4 5 6 7 8 9 10 11

G

G

*Illustrated without Header and Finished End Panel.



F

F

E

E

D

D

C

C

B

B

A

A

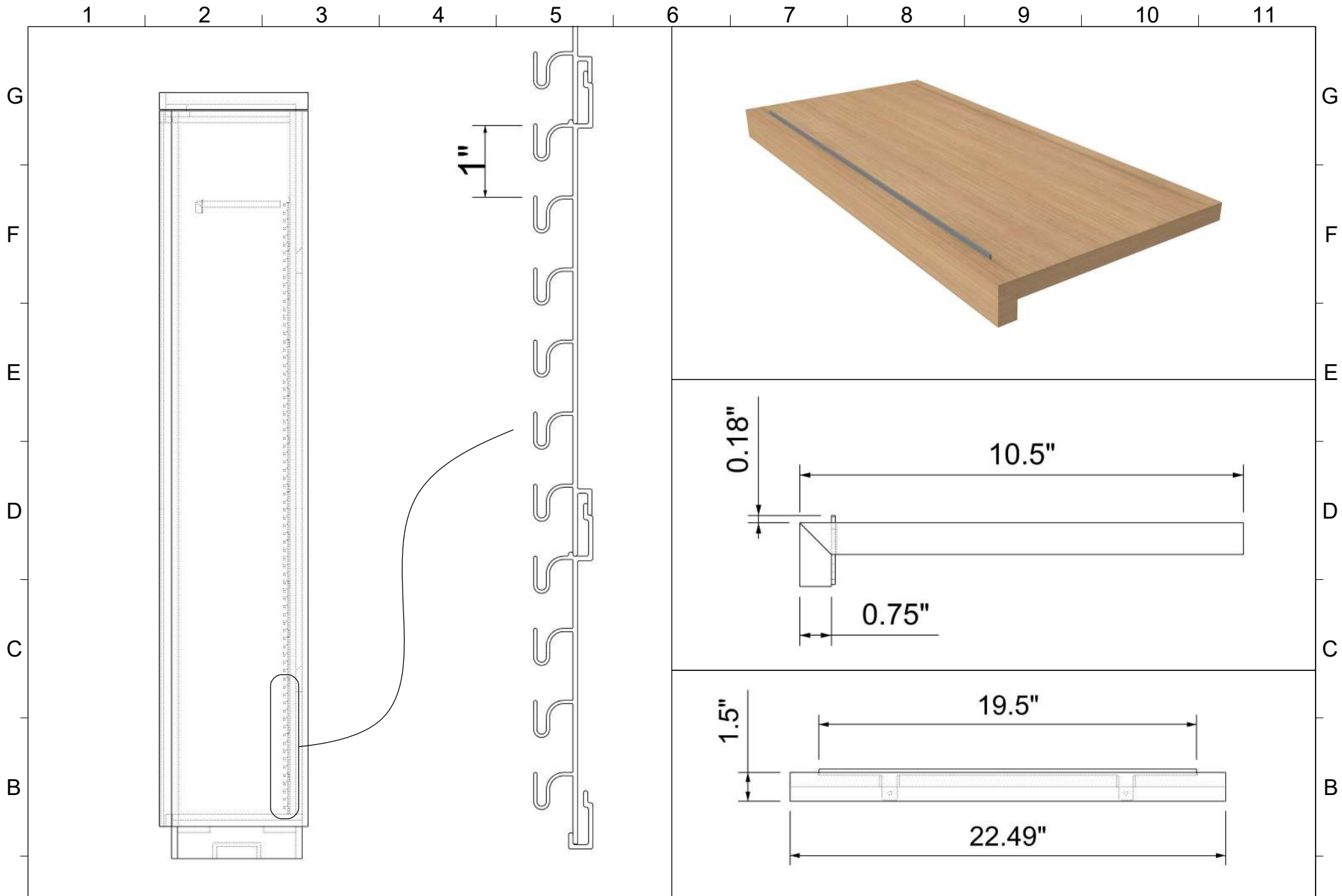
MODEL NAME: 2FT Slat Wall CabinetWEB		DATE: 5/5/2021		REVISION: 1001	UNITS: INCHES	SHEET NO: 2 of 3
--------------------------------------	--	----------------	--	----------------	---------------	------------------



SRC Fixtures
9549 Frankoma Rd
Sapulpa, OK 74066

FILE LOCATION: \\TimPc\G_ALL CUSTOMERS\I\Z Next Gen\NEXT GEN FINAL\Wall Cabinets\2FT Slat Wall Cabinet\PREVIOUS\2FT Slat Wall CabinetWEB.3dm

1 2 3 4 5 6 7 8 9 10 11



MODEL NAME: 2FT Slat Wall CabinetWEB

DATE: 5/5/2021 **REVISION:** 1001 **UNITS:** INCHES **SHEET NO:** 3 of 3

FILE LOCATION: \\TimPc\G_ALL CUSTOMERS\I\Z Next Gen\NEXT GEN FINAL\Wall Cabinets\2FT Slat Wall Cabinet\PREVIOUS\2FT Slat Wall CabinetWEB.3dm



SRC Fixtures
9549 Frankoma Rd
Sapulpa, OK 74066

A

A

1 2 3 4 5 6 7 8 9 10 11