



**MODEL NAME:** 8FT EXPERIENCE TABLE



SRC Fixtures  
9549 Frankoma Rd  
Sapulpa, OK 74066

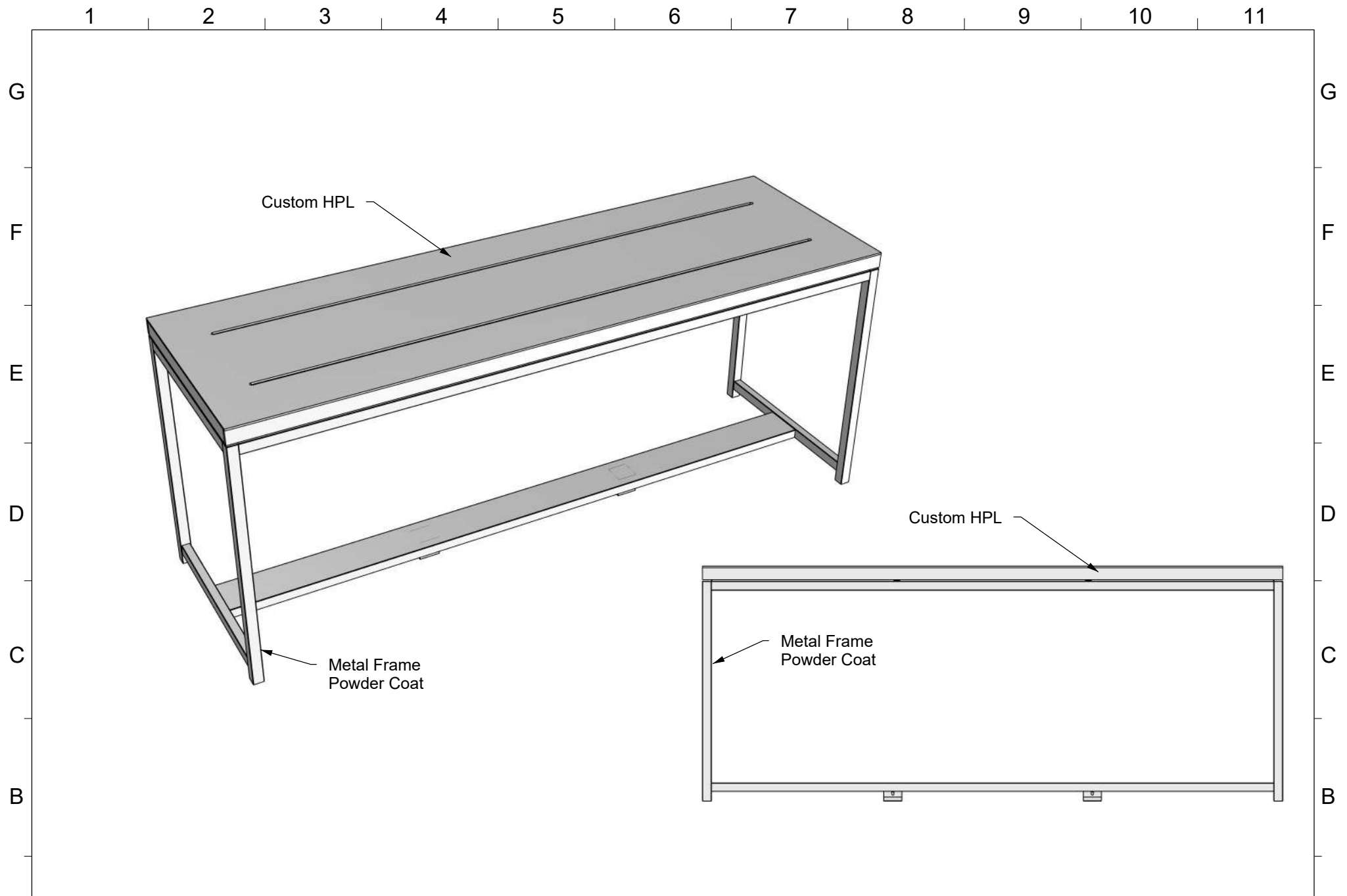
DATE:	2/10/2021	REVISION:	1001	UNITS:	Inches	SHEET NO:	1
-------	-----------	-----------	------	--------	--------	-----------	---

FILE LOCATION: \\TimPo\G\\_ALL CUSTOMERS\I\Z Next Gen\NEXT GEN FINAL\8FT EXPERIENCE TABLE\Verizon\8FT EXPERIENCE.3dm

A

A

1 2 3 4 5 6 7 8 9 10 11



**MODEL NAME: 8FT EXPERIENCE TABLE**

DATE:	2/10/2021	REVISION:	1001	UNITS:	Inches	SHEET NO:	2
-------	-----------	-----------	------	--------	--------	-----------	---



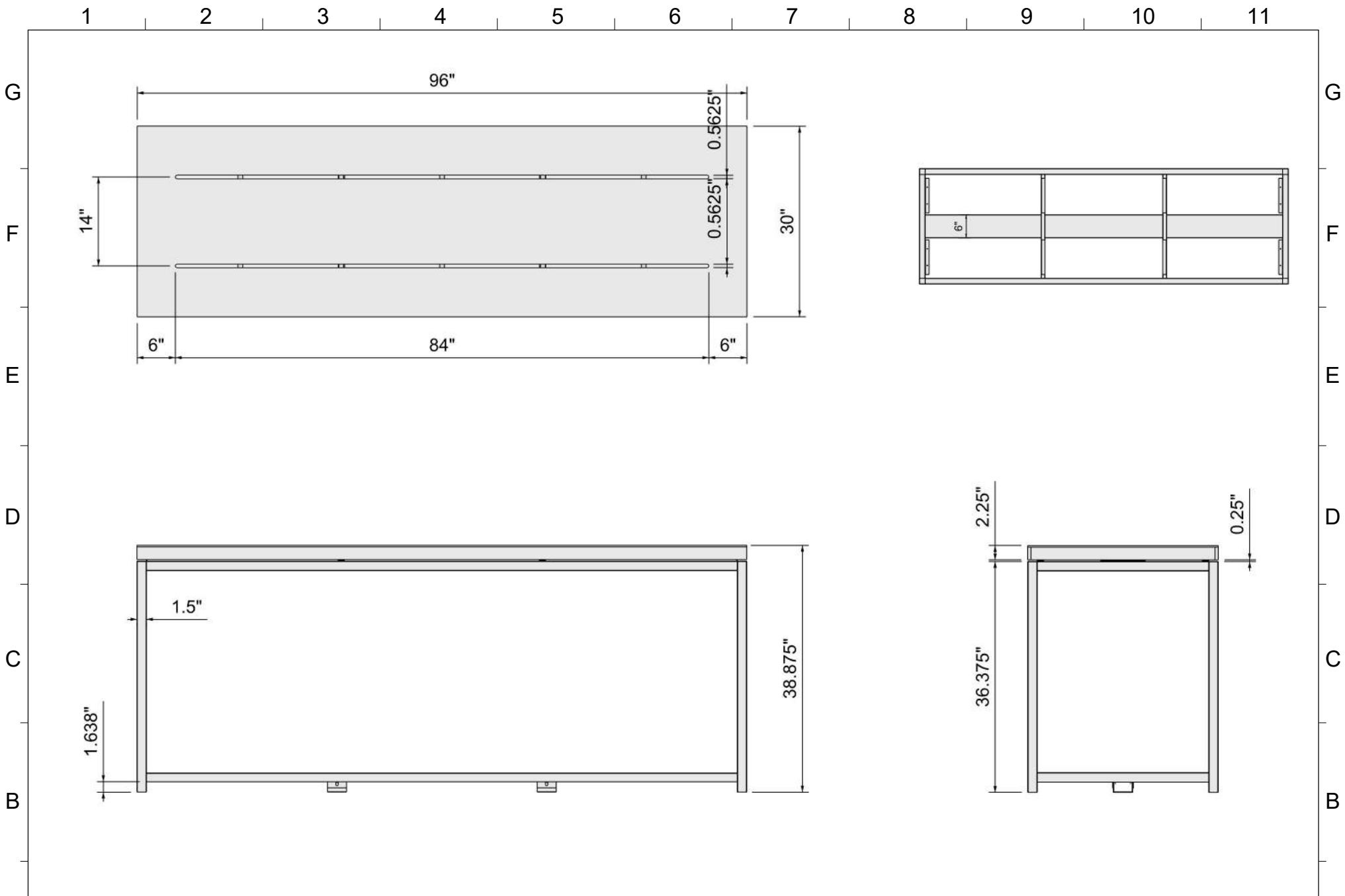
SRC Fixtures  
9549 Frankoma Rd  
Sapulpa, OK 74066

FILE LOCATION: \\TimPo\G\\_ALL CUSTOMERS\I\Z Next Gen\NEXT GEN FINAL\8FT EXPERIENCE TABLE\Verizon\8FT EXPERIENCE.3dm

A

A

1 2 3 4 5 6 7 8 9 10 11



**MODEL NAME: 8FT EXPERIENCE**

DATE: 2/10/2021    REVISION: 1001    UNITS: Inches    SHEET NO: 3



SRC Fixtures  
9549 Frankoma Rd  
Sapulpa, OK 74066

FILE LOCATION: \\TimPo\G\\_ALL CUSTOMERS\I\Z Next Gen\NEXT GEN FINAL\8FT EXPERIENCE TABLE\Verizon\8FT EXPERIENCE.3dm