



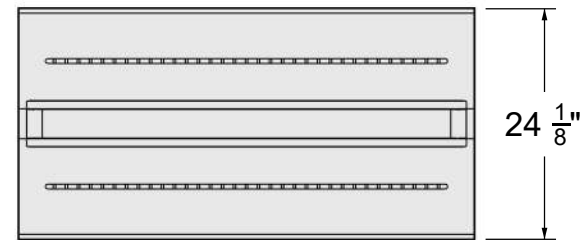
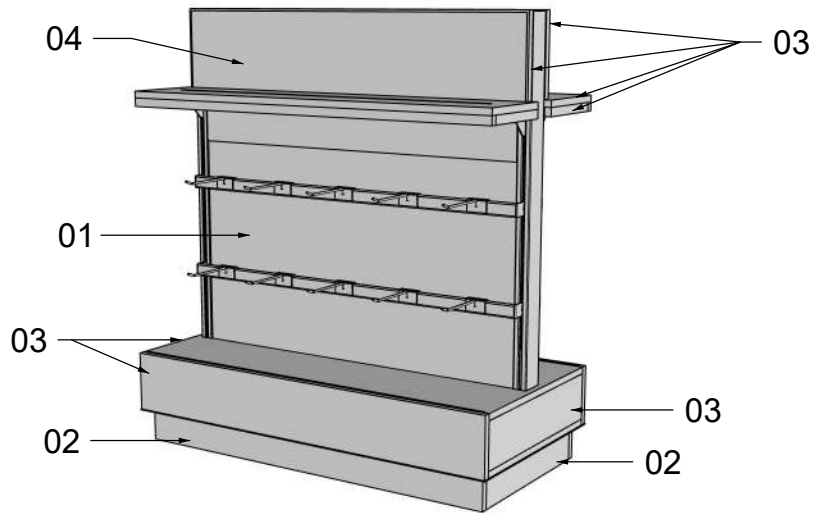
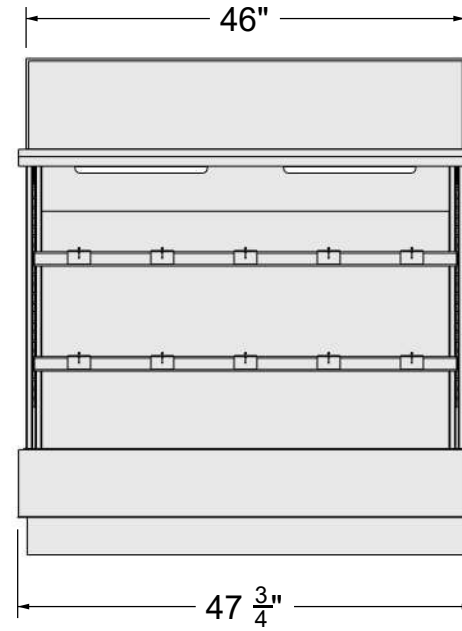
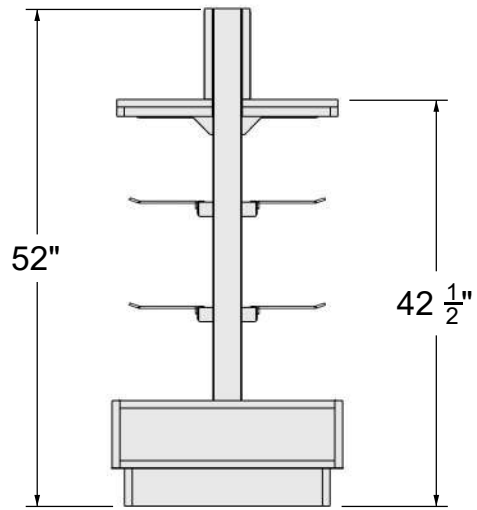
MODEL NAME: AISLE FIXTURE

DATE: 5/5/2021 REVISION: 1001 UNITS: INCHES SHEET NO: 1 of 2

SRC
FIXTURES
SRC Fixtures
9549 Frankoma Rd
Sapulpa, OK 74066

FILE LOCATION: \\TimPc\G_ALL CUSTOMERS\VZ Next Gen\NEXT GEN FINAL\Aisle Fixture\Verizon\Aisle Fixture_Detail Dimensions Website.3dm

1 2 3 4 5 6 7 8 9 10 11



| | | | | | | | |
|-------|--------|-----------|-------------------------------|-----|-----|-----|-----|
| | 01 | Black~Mel | 06 | --- | 11 | --- | |
| | 02 | Fog~Mel | 07 | --- | 12 | --- | |
| Date: | 5/4/21 | 03 | White_Oak_Rift~Verizon_Custom | 08 | --- | 13 | --- |
| By: | TJM | 04 | Magnet | 09 | --- | 14 | --- |
| REV: | --- | 05 | --- | 10 | --- | 15 | --- |

File Name: \\TimPc\G_ALL CUSTOMERS\VZ Next Gen\NEXT GEN FINAL\Aisle Fixture\Verizon\Aisle Fixture_Detail Dimensions Website.3dm